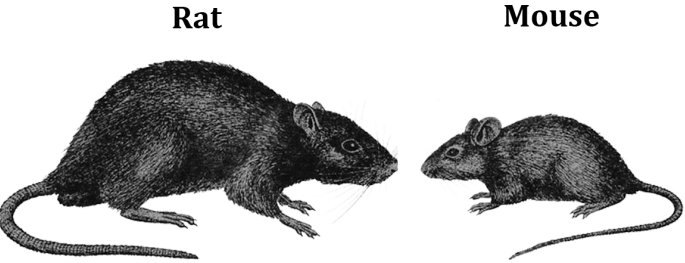
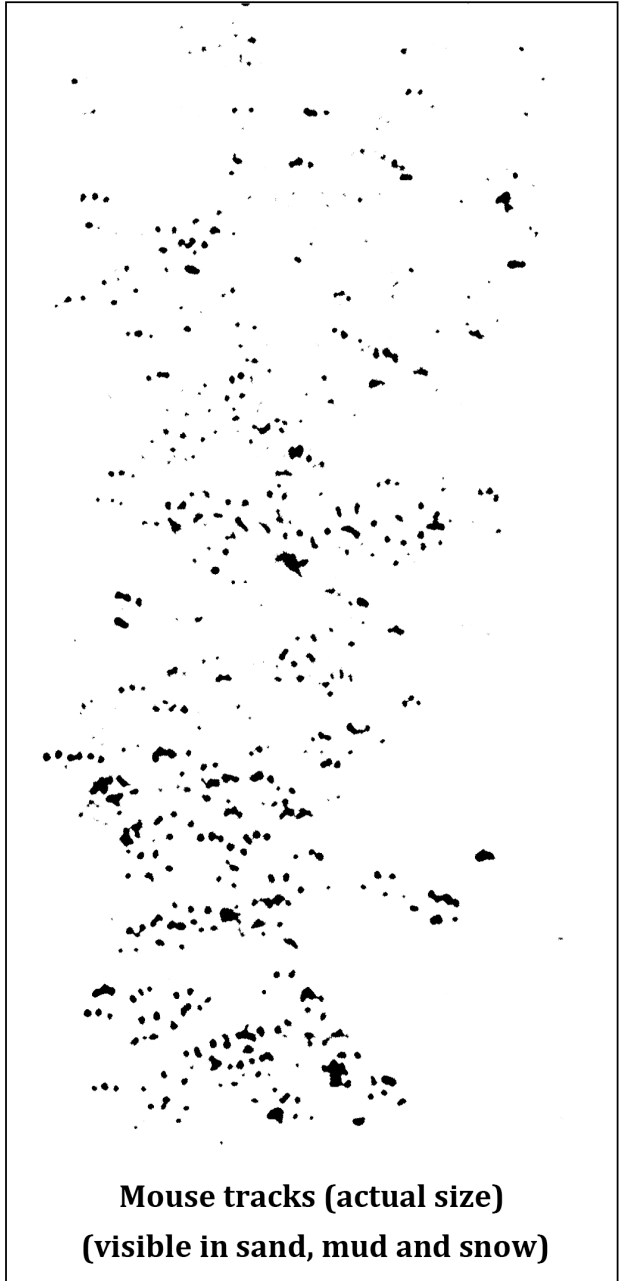
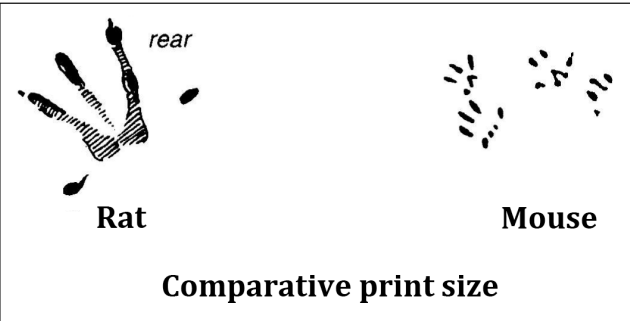




	Rat	Mouse
Adult weight (g)	450	25
Max head/body length (mm)	275	115
Tail	thick, shorter than body	skinny, same length as body
Length of droppings (mm)	13.4-19.1	3.9-7.6
Adult hind foot (mm)	30-41.5	15-21



Comparative body size



Mouse identification guide and proforma

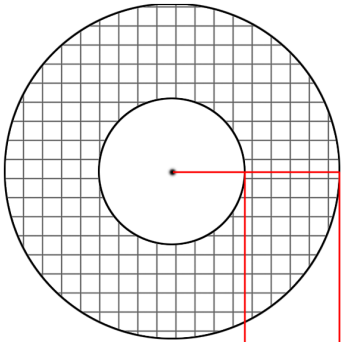
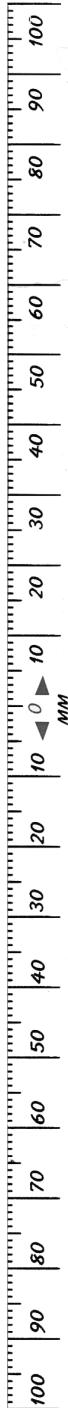
Take digital photographs in-situ of any evidence that may indicate the presence of mice – use the highest resolution that you can, and include the scale bar on this sheet.

Collect all evidence for analysis (e.g. droppings, hair, chews etc) if returning to KEP or Falkland Islands. If not, photographs will suffice emailed to env@gov.gs

Spend the time to look for other evidence such as tracks, hair, scratches etc, and record all details on this sheet. Attach additional pages if necessary.

Label the evidence carefully, and store in plastic bag or pot if possible

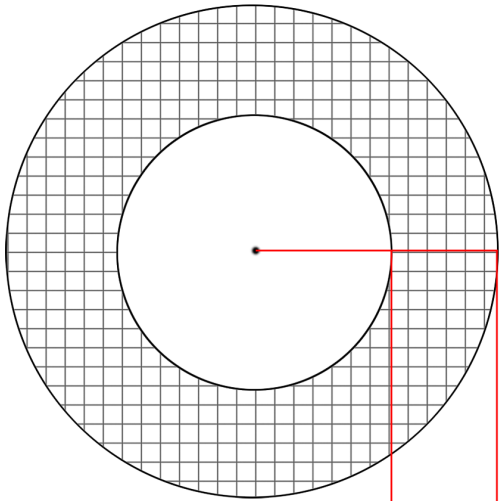
Return all evidence, sheets and photos to the Government Officers (go@gov.gs) at KEP or the Environment Officer (env@gov.gs) in Stanley, Falkland Islands.



MIN
22mm

MAX
47mm

Average actual mouse burrow size



MIN
40mm

MAX
70mm

Average actual rat burrow size

Vessel				
Date				
Time				
Location				
GPS co ordinates				
Map reference				
Distance from animal	<1m	2-4m	5m	>5m
Length of sighting	<2s	3-4s	>5s	
Percentage of animal seen	<25%	50%	75%	100%

	Photographed?
Burrow	
Prints	
Droppings	

Name:	
email address:	
Address:	

Describe the sighting (colours, sizes etc):	
What was the animal doing:	
Describe the location of sighting:	

	Notes:	
Burrow width (entrance)		
Footprint length (mm)		
Estimate no prints		
Dropping length (mm)		
Estimate no droppings		